



Olly Dok

automations and motorized tracks
for straight sliding frames



▶ Automations for straight sliding frames

Olly and Dok allow to automate straight sliding frames even at a later date.

They have been designed to allow easy installation on the structure, even heavy and large ones, and to satisfy different duty requirements.



▶ Range of products

	Automations for straight sliding door and window frames		Universal motorized tracks for straight sliding frames			
	OLLY E	OLLY M	DOK E		DOK M	
Application	window frames	doors	frames	doors		
	1 wing	1 wing	1 motor	2 motors	1 wing	2 wings
Max. load capacity	80 kg	40 kg	250 kg	300 kg	100 kg (reduction 1:2)	250 kg (reduction 1:6)
Duty	light	frequent	frequent	frequent	heavy (reduction 1:2)	frequent (reduction 1:6)

▶ Technical features of the available versions

	OLLY E	OLLY M	DOK E	DOK M
Description: Electromechanical Actuator	for sliding frames	for interior sliding doors	for sliding frames and doors	for sliding frames and doors
Maximum capacity	80 kg	40 kg	250 kg (1 motor) 300 kg (2 motors)	250 kg (reduction 1:6) 100 kg (reduction 1:2)
Type of use	light	frequent	frequent	frequent (reduction 1:6) heavy duty (reduction 1:2)
Intermittency	-	S2 = 30 min / S3 = 50%	S2 = 15 min / S3 = 30 %	S2 = 15 min / S3 = 30%
Power supply	24 V=	230 V~ / 50Hz	24 V=	230 V~ / 50Hz
Insulation class	class 3	class 1	class 3	class 1
Input	1.8 A	0.2 A	1.8 A	0.6 A
Torque/Thrust	50 N	30 N	140 N (1 motor) 280 N (2 motors)	140 N (reduction 1:6) 50 N (reduction 1:2)
Opening speed	0.1 m/s	0.4 m/s	0.15 m/s	0.25 m/s (reduction 1:6) 0.7 m/s (reduction 1:2)
Closing speed	0.1 m/s	0.2 m/s	0.15 m/s	0.15 m/s (reduction 1:6) 0.5 m/s (reduction 1:2)
Maximum opening	3.5 m	3.5 m	6 m	6 m
Release for manual opening	-	-	handle	handle
Operating temperature	-20°C / +55°C	-20°C / +55°C	-20°C / +55°C	-20°C / +55°C
Protection degree	IP 20	IP 20	IP10D - IP13D (with guard)	IP12D
Product dimensions	60x43x120 mm	72x76x305 mm	80x80xL mm	80x80xL mm
Control panel	161	163 (incorporated)	0901 - 0902 - 0906	191 (incorporated)
Reduction ratio	1:21	1:14	1:6	1:6 (standard) / 1:2 (optional)
Homologations		TÜV		

Olly M

► Automation for internal sliding doors Silent, versatile and easy to install For increased comfort and convenience in your house

Small dimensions, great performance

Designed to be small and equipped with a microprocessor logic control panel, it smoothly automates the frame, with acceleration and slowing down typical of automatic doors.

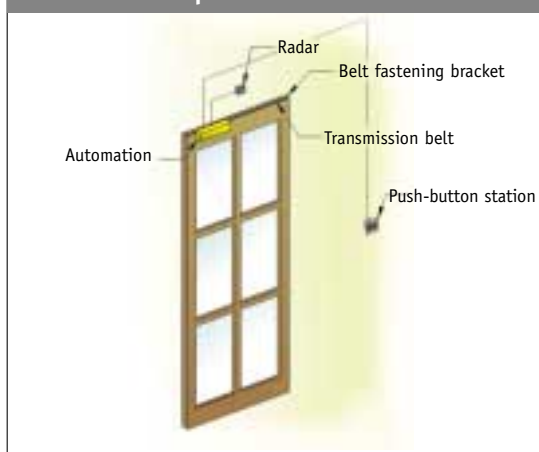
Versatile

Easy to install, it can automate doors with one concealed or on-sight wing, even at a later date.

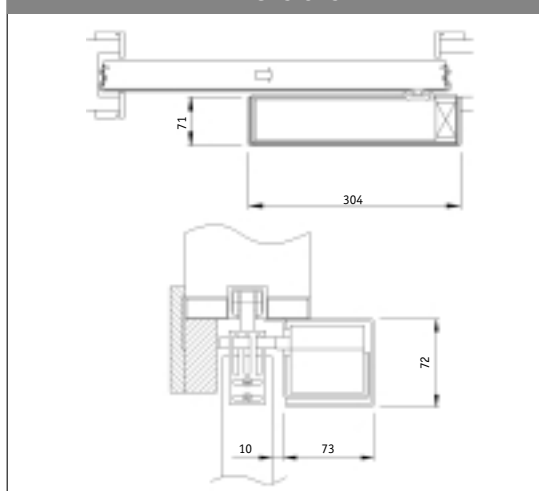
Suitable for any requirement

It is available in two versions: with automatic opening by passive infrared radar or with opening by push-button station.

Examples of installation



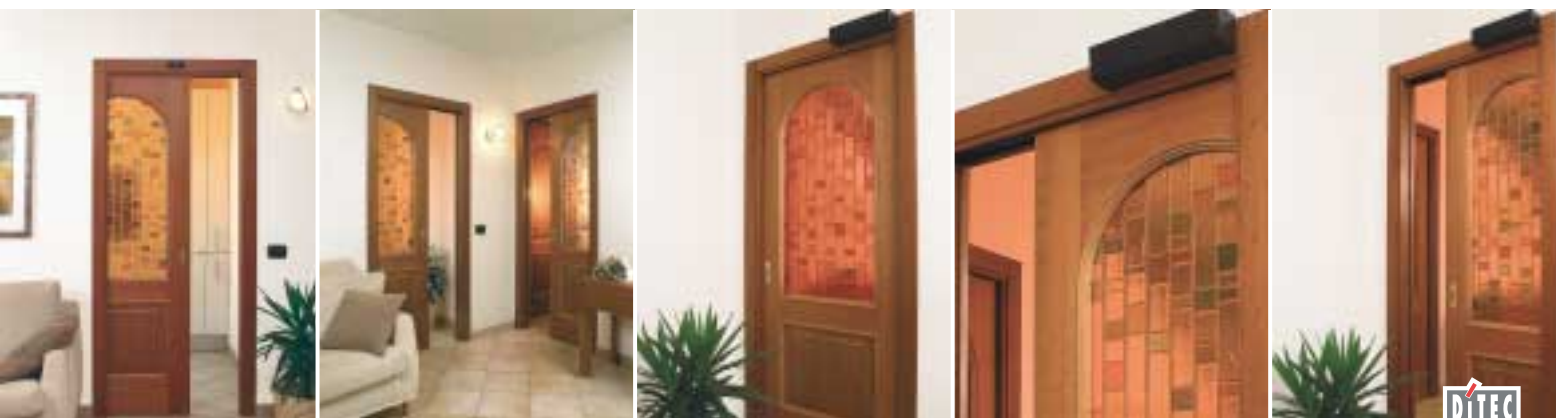
Dimensions



► Two functional mounting kits

The automation is provided with two possible kits, consisting of:

- one Olly M actuator
- the transmission belt
- the belt fastening brackets
- the program selector for automatic closing
- one control push-button station
- one passive infrared radar (in addition to the other elements, in the 2nd kit)



Olly E

Automation for sliding window frames Silent, versatile and easy to install For increased comfort and convenience in your house

Comfort

Small and reliable, Olly E has been designed to automate external window frames effectively. Automatic opening and closing of your external window frames will certainly make your life easier and more comfortable.

Versatility

It can be used in different contexts, domestic, commercial or industrial ones, to automate on-sight or concealed window frames, even at a later date.

Functionality

Its special synthetic belt allows Olly E to work silently and automate frames weighing up to 80 Kg.

Opening and closing controls are transmitted by means of a common push-button station, which allows you to actuate the external window frames without having to open the window, thus avoiding unpleasant, sudden changes in temperature.

Effectiveness

External window frames can be centrally controlled, too, by placing all the switches together in one area of your house.

Through this intelligent system you will be able to monitor all closings and openings of your doors or window frames, considerably improving the comfort and the quality of your daily life.

The elderly or the disabled will greatly benefit from the centralized control, as they will not have to move, going from room to room or outside, to open or close doors or window frames.

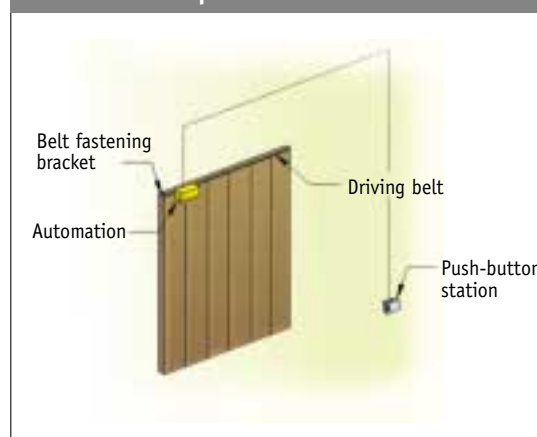


A functional installation kit

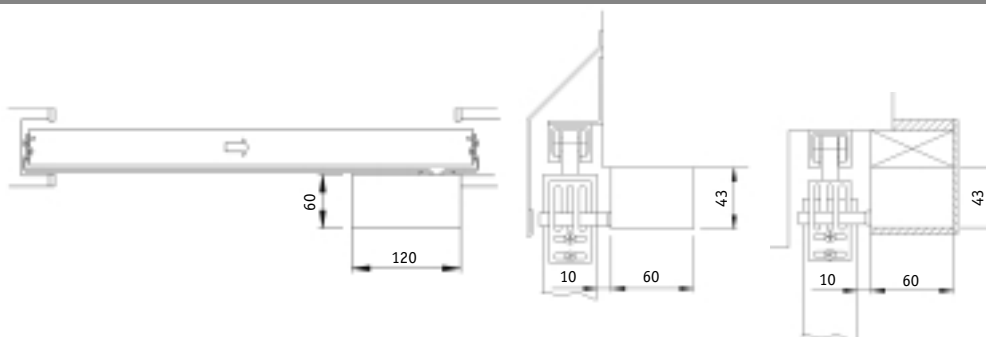
The automation is provided complete with:

- Olly E actuator
- driving belt
- belt brackets
- push-button station with built-in control panel

Examples of installation



Dimensions



Dok M

► Universal motorized track for sliding door frames

Smooth and controlled movement

Dok M is equipped with a microprocessor logic control system, which makes it the automation of choice wherever a smooth and controlled movement is required, for example, in the case of automatic pedestrian doors.

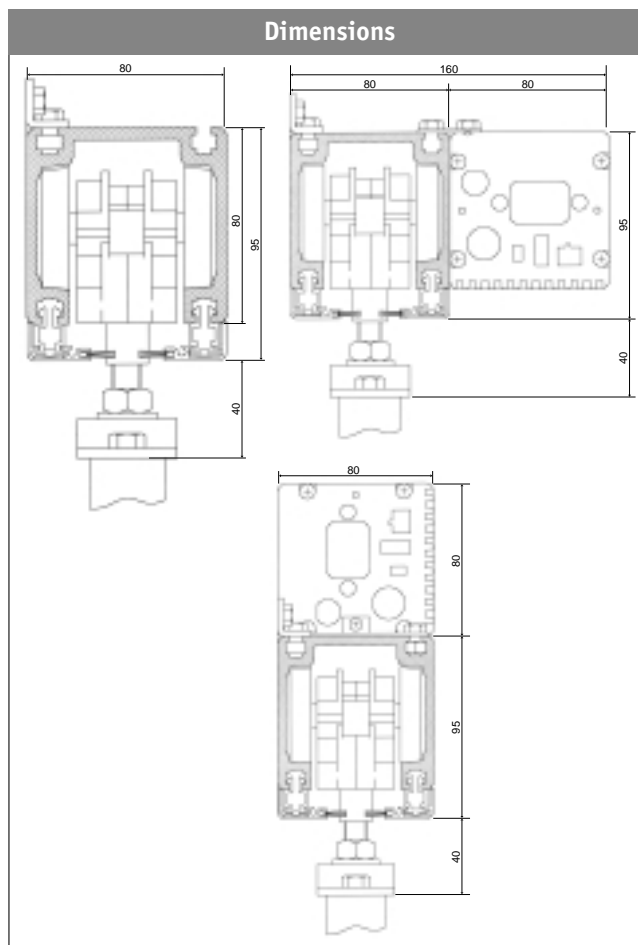
Multi-functional, to satisfy different application requirements

Its reduction gear unit and control panel come in one block with side installation. This allows Dok M to be assembled:

- with in-line gear motor,
- with front gear motor,
- with upper gear motor

Full range of accessories

Dok M can be completed with a full range of control and safety accessories beside the specific devices. A battery backup device allows operation even in emergency situations.



Specific accessories

- Lock device inside the automation
- Lock release device by handle
- Battery powered antipanic device (BAT K1)

Examples of installation

Dok M with in-line gear motor and control panel.



Dok M with front gear motor and control panel.



Dok M with upper gear motor and control panel.

Dok E

► Universal motorized track for sliding frames

Wide variety of applications

Dok E is the automation of choice wherever sophisticated control and operation management are not required, such as, for example, in the case of security grids, mobile walls, shutters, blinders, French windows.

Full range of accessories to be completed with

A battery backup device ensures operation even in case of power failure. Dok E can be completed with several common accessories such as photocells, detecting sensors, sensitive mats, push-buttons, etc. Furthermore, a full range of "dedicated" accessories (fitting brackets, air-seal brushes, coupling kit, control panels managing up to 6 automations, external protective cover, wing lock release devices) allow Dok E to satisfy diverse application requirements.

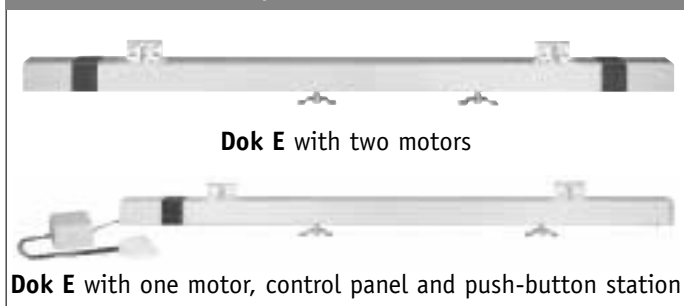
Dok E and Dok M parts and accessories



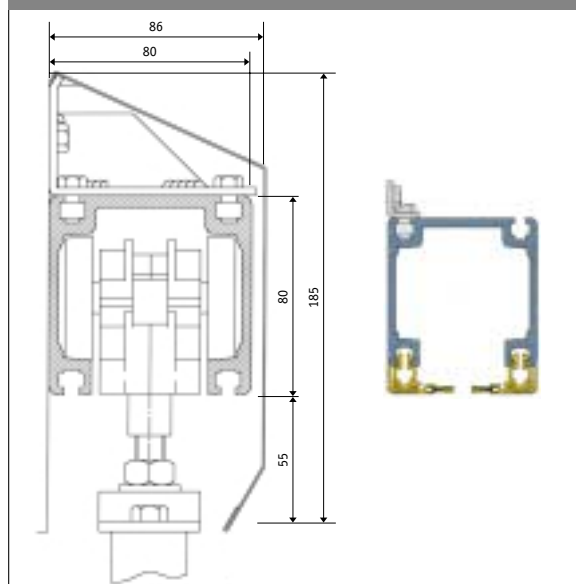
Specific accessories

- wing lock device
- lock device inside automation
- manual lock release by handle
- battery-powered antipanic device (with 0906 control panel)



Examples of installation



Dimensions



Main functions of the system and control panels

	OLLY E	OLLY M	DOK E			DOK M
	161	163	901	902	906	191 P1
Description: Control panel	for 1 24 V= motor	for 1 24 V= motor	for 1 24 V= motor	for 2 24 V= motors	for 1-6 24 V= motors	for 1 24 V= motor
Mains power supply	230 V~ / 50 Hz	230 V~ / 50 Hz	230 V~ / 50 Hz	230 V~ / 50 Hz	230 V~ / 50 Hz	230 V~ / 50 Hz
Batteries for operation in case of a power break					 (opzionale)	 (opzionale)
Number of motors	1	1	1	2	1-6	1
Motor power supply	24 V= / 1.8 A	24 V= / 1.8 A	24 V= / 2 A	24 V= / 2 x 2 A	24 V= / 6 x 2 A	24 V=
Accessories power supply		24 V= / 0.15 A	24 V= / 0.3 A	24 V= / 0.3 A	24 V= / 0.3 A	24 V= / 0.3 A
Electric lock			24 V= / 2 A	24 V= / 2 A	24 V= / 2 A	24 V= / 1 A
Encoder by means of the learning operation, the system recognises the mechanical stops and, during the following operations it controls speed and deceleration						
Force adjustment						
ODS - Obstacle detecting system causes stop or reversal of operation if an obstacle is found						
Speed adjustment permits adjusting speed to achieve best operation						
Braking / Deceleration for best approach						
Opening command						
Closing command						
Timed automatic closing						
Stop safety device						
Reverse movement safety device						
Operating temperature	-20°C / +55°C	-20°C / +55°C	-20°C / +55°C	-20°C / +55°C	-20°C / +55°C	-20°C / +55°C
Protection degree	IP40	IP20	IP56	IP54	IP54	
Product dimensions			118x160x75	180x250x100	225x320x120	



▶ Accessories

- ▶ Infrared beam photocells
- ▶ Key button, emergency button, elbow button, pneumatic button and pull switch
- ▶ Function mechanical programmer with or without key lock
- ▶ Two-way and one-way microwave radar and active and passive infrared radar
- ▶ Digital selectors
- ▶ Sensitive mats in different sizes
- ▶ Push-button station

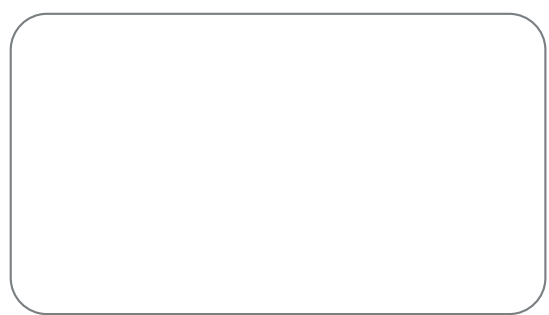


▶ Regulations

Use only DITEC accessories and safety devices for automation system installation.

DITEC actuators are CE-marked. They are designed and built in compliance with the safety requirements defined in the Machinery Directive (98/37/EC), Electromagnetic Compatibility Directive (89/336/EEC) and Low-Voltage Directive (73/23/EEC). DITEC S.p.A. reserves the right to make any changes whatsoever in order to upgrade its products.

Ditec products are constantly improved. As a consequence, technical data as listed in this leaflet are not to be considered binding. Further information can be found in our technical manuals, available on the website www.ditec.it



DITEC S.p.A.
Via Mons. Banfi, 3 - 21042 Caronno Pertusella (VA) - ITALY
Tel. +39 02 963911 - Fax +39 02 9650314
www.ditec.it - ditec@ditecva.com



DITEC BELGIUM	LOKEREN	Tel. +32 9 3560051	Fax +32 9 3560052	www.ditecbelgium.be
DITEC DEUTSCHLAND	OBERURSEL	Tel. +49 617 1914150	Fax +49 617 1914155	www.ditec-germany.de
DITEC FRANCE	PALAISEAU	Tel. +33 1 64532860	Fax +33 1 64532861	www.ditec.fr
DITEC SVIZZERA	MENDRISIO	Tel. +41 91 6463339	Fax +41 91 6466127	www.ditecswiss.ch
DITEC AMERICA	FT. LAUDERDALE USA	Tel. +1 954 9624505	Fax +1 954 9626824	www.ditecamerica.com